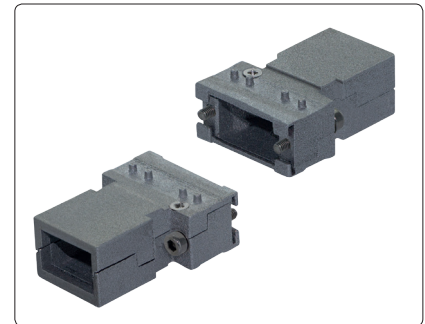
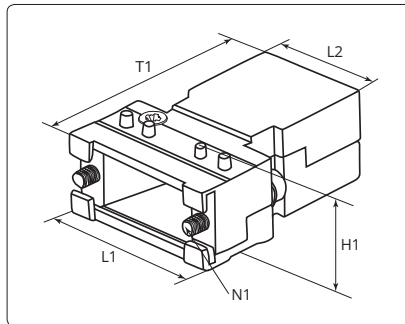
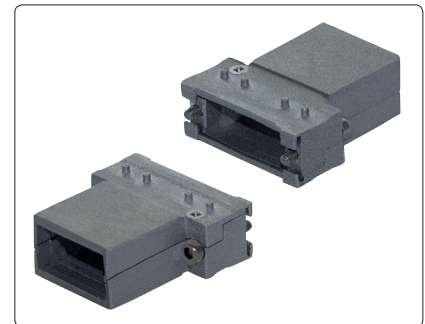
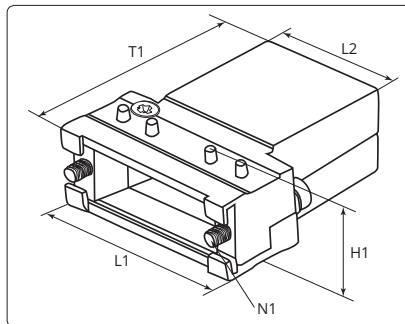


**TRAC D-SUB with up to three straight cable entries**


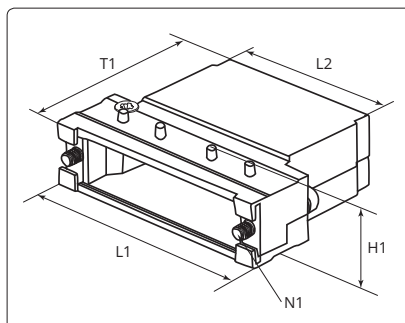
Item number	Hoods	L1 [mm]	L2 [mm]	T1 [mm]	H1 [mm]	N1 thread	Cable entrances
TRAC2ST1-2	size 1	31.0	22.0	32.5	18.0	M3	2
TRAC2ST1-4	size 1	31.0	22.0	32.5	18.0	4-40UNC	2

All screws are part of the set, cable clamps, shielding sleeves, contacts and connectors have to be ordered separately.



Item number	Hoods	L1 [mm]	L2 [mm]	T1 [mm]	H1 [mm]	N1 thread	Cable entrances
TRAC2ST2-2	size 2	39.3	26.6	42.5	18.0	M3	3
TRAC2ST2-4	size 2	39.3	26.6	42.5	18.0	4-40UNC	3

All screws are part of the set, cable clamps, shielding sleeves, contacts and connectors have to be ordered separately.



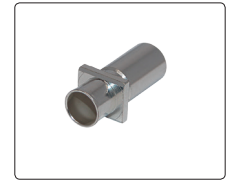
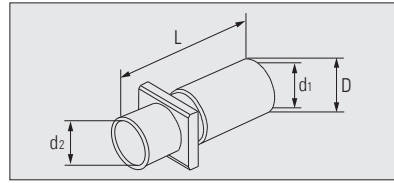
Item number	Hoods	L1 [mm]	L2 [mm]	T1 [mm]	H1 [mm]	N1 thread	Cable entrances
TRAC3ST3-2	size 3	53.3	38.5	42.5	18.0	M3	3
TRAC3ST3-4	size 3	53.3	38.5	42.5	18.0	4-40UNC	3

All screws are part of the set, cable clamps, shielding sleeves, contacts and connectors have to be ordered separately.

# Technical Datasheet Gimota AG

## Cable clamp for D-SUB

Material: Brass tin-plated

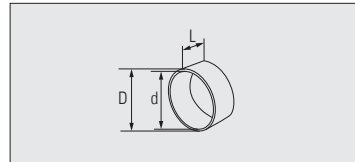


Item number	D [mm]	d <sub>1</sub> [mm]	d <sub>2</sub> [mm]	L [mm]	OD cable [mm]	Strain relieve compression	EMI shield compression
SUKABC06S-21 *	7.4	6.0	6.0	20.5	5.0...5.8	yes	yes
SUKABC06S	7.4	6.0	6.0	20.5	5.0...5.8	yes	yes
SUKABC067S	7.4	6.7	6.0	20.5	5.7...6.5	yes	yes
SUKABC09S	10.0	9.0	9.0	20.4	8.0...8.8	yes	yes
SUKABC10S	11.0	10.0	9.0	30.4	9.0...9.8	yes	yes

\* Use only with TRAC2ST1 when 2 cable entries are required

## Shielding sleeves

Material: Brass tin-plated



Item number	for cable clamp	d [mm]	D [mm]	L [mm]
SUGSC297	SUKABC06S-21 SUKABC06S SUKABC067S	7.5	8.5	6.4
SUGSC460	SUKABC09S SUKABC10S	11.7	13.0	6.4

The provided data, images and technical specification drawings reflect the current engineering level and are to the best of our knowledge. This does not include any liability regarding the final application. Users of the products should make their own evaluation to determine the suitability for a specific application. Our liability for these products considers the stated level within our General Conditions only. GIMOTA AG reserves the right to adjust specified data and values as well as implementing technical adjustments of the products e.g. change of materials and processing technologies without prior notice as long as the specified values are not affected.